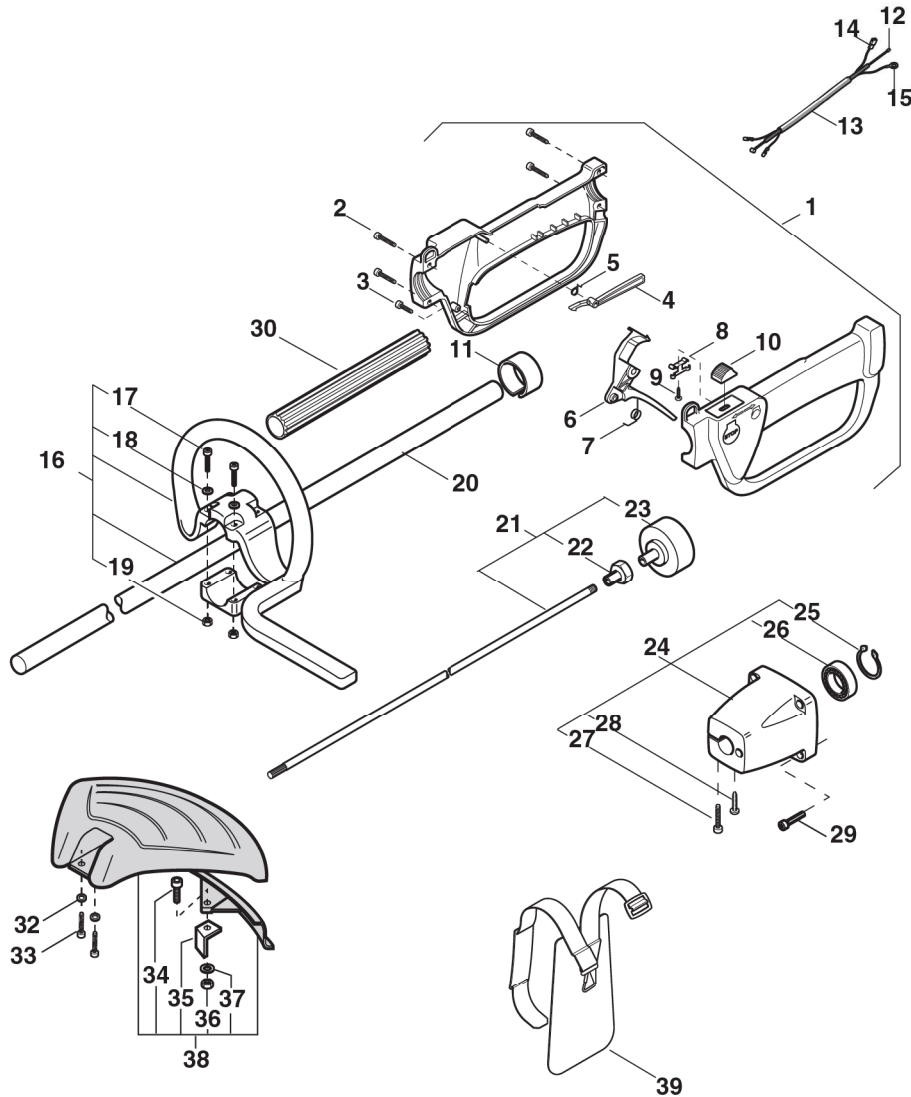


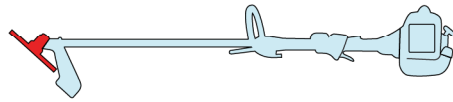
POS.	CODE	Q.TY	DESCRIZIONE	DESCRIPTION	DESCRIPTION	BESCHREIBUNG	REMARKS
1	123071010/0	1	CILINDRO	CYLINDER	CYLINDRE	ZYLINDER	
2	123280030/0	1	GUARNIZIONE CILINDRO	CYLINDER GASKET	JOINT CYLINDRE	ZYLINDERDICHTUNG	
4	123109539/0	1	COPERCHIO	COVER	COUVERCLE	DECKEL	
5	123109540/0	1	COPERCHIO	COVER	COUVERCLE	DECKEL	
6	123280032/0	2	GUARNIZIONE	GASKET	GARNITURE	DICHTUNG	
7	123878054/0	4	VITE	SCREW	VIS	SCHRAUBE	
9	123106022/0	1	CUFFIA COPRICILINDRO GIALLA	YELLOW CYLINDER COVER	COUVERCLE CYLINDRE JAUNE	MOTORABDECKUNG GELB	
-	123106024/0	1	CUFFIA COPRICILINDRO ROSSO	RED CYLINDER COVER	COUVERCLE CYLINDRE ROUGE	MOTORABDECKUNG ROT	
10	123590004/0	1	PISTONE	PISTON	PISTON	KOLBEN	
11	123760001/0	1	SPINOTTO PISTONE	PISTON PIN	POINTEAU PISTON	KOLBENBOLZEN	
12	123204007/0	2	FASCIA ELASTICA	PISTON RING	COLLIER ÉLASTIQUE	KOLBENRING	
13	123202002/0	2	FERMO SPINOTTO	WASHER, PISTON PIN	CIRCLIP POINTEAU	ANSCHLAG ZAPFEN	
14	123235003/0	1	GABBIA A RULLI	NEEDLE BEARING	CAGE À ROULEMENTS	WALZENKÄFIG	
15	123120005/0	1	DADO	NUT	ECROU	MUTTER	
21	123880005/0	1	VOLANO MAGNETE	FLYWHEEL	VOLANT AIMANT	SCHWUNGRAD MAGNET	
22	123044008/0	1	BOBINA ELETTRONICA	ELECTRONIC COIL	BOBINE ÉLECTRONIQUE	ELEKTRONIKSPULE	
23	123053002/0	1	CAPPUCCIO CANDELA	SPARK PLUG COVER	CAPUCHON BOUGIE	ZÜNDKERZENKAPPE	
24	23051000/0	1	CANDELA	SPARK PLUG	BOUGIE	ZÜNDKERZE	
25	183065021/0	1	CAVO MASSA	EARTH CABLE	CÂBLE MASSE	ERDUNGSKABEL	
26	123280033/0	1	GUARNIZ.COLLETTORE- CARB	INTAKE-CARB GASKET	JOINT COLLECT.-CARB.	DICHT. KOLLEKTOR-VERG.	
27	123054022/0	1	CARBURATORE	CARBURETTOR	CARBURATEUR	VERGASER	
28	123220009/0	1	FILTRO ARIA	AIR FILTER	FILTRE À AIR	LUFTFILTER	
29	183090005/0	1	COPRIFILTRO ARIA	FILTER COVER	COUVRE-FILTRE À AIR	FILTERABD.	
30	123280028/0	1	GUARNIZIONE SILENZIA- TORE	GASKET	JOINT SILENCIEUX	DICHTUNG SCHALLDÄM- PFER	
31	183740006/0	1	SILENZIATORE	MUFFLER	SILENCIEUX	SCHALLDÄMPFER	
32	183215005/0	1	MASSA FRIZIONE	CLUTCH UNIT	EMBAYAGE	REIBUNGSMASSE	
33	183058021/0	1	ASS. AVVIATORE	STARTER ASS.Y	ENS. DÉMARREUR	SET STARTER	
34	123300007/0	1	IMPUGNATURA AVV.TO	STARTER HANDLE	POIGNÉE DÉMARRAGE	GRIFF STARTER	
35	123082002/0	1	ASS. COPPA AVVIAMEN- TO	STARTER CUP ASS.Y	ENS.COUPÉ DÉMAR- REUR	SCHWUNGRAD MAGNET	
36	183733005/0	1	ASS.SERBATOIO MIX	FUEL TANK ASS.Y	ENS.RÉSERVOIR MÉ- LANGE	TREIBSTOFFTANK	
37	183790008/0	1	ASS.TAPPO MISCELA	FUEL CAP ASS.Y	ENS.BOUCHON MÉLAN- GE	DECKEL TREIBSTOFF- TANK	
38	183520004/0	1	PESCANTE MISCELA	INTAKE FILTER	FILTRE D'ASPIRATION	TAUCHSONDE	



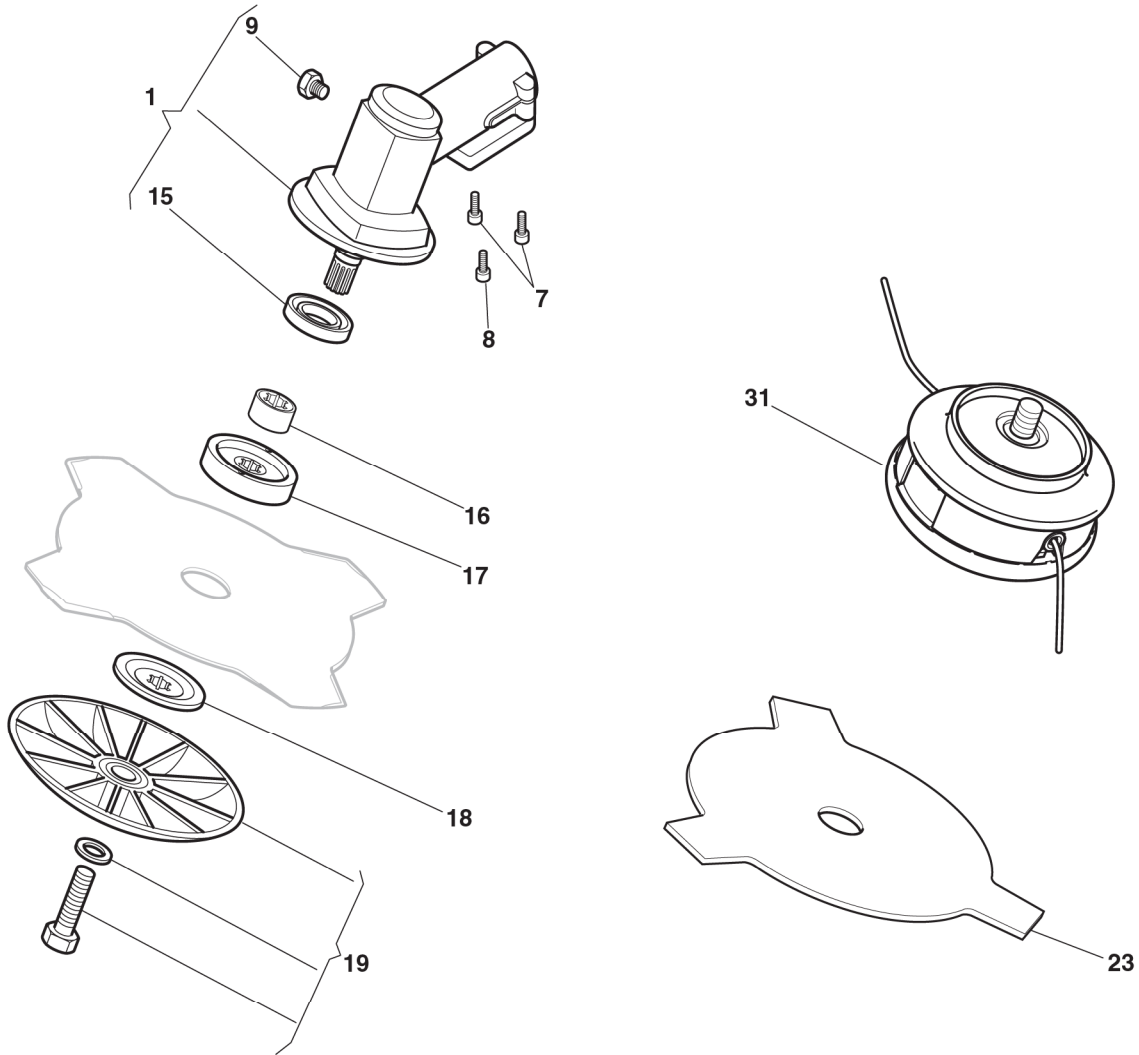
POS.	CODE	Q.TY	DESCRIZIONE	DESCRIPTION	DESCRIPTION	BESCHREIBUNG	REMARKS
1	8562620/1	1	ASS. IMPUGNATURA POSTERIORE (INCL.2-11)	HANDLE ASS.Y (INCL.2-11)	ENS.POIGNÉE (INCL.2-11)	HANDGRIFF HINTEN (INCL.2-11)	
2	2123030	4	VITE	SCREW	VIS	SCHRAUBE	
3	2123100	2	VITE	SCREW	VIS	SCHRAUBE	
4	3743475	1	LEVA DI SICUREZZA	SAFETY LEVER	LEVIER DE SÉCURITÉ	SICHERHEITSHEBEL	
5	3654300	1	MOLLA LEVA DI SICUREZZA	SPRING	RESSORT	FEDER SICHERHEITSHEBEL	
6	3743465	1	LEVA ACCELERATORE	THROTTLE LEVER	LEVIER ACCÉLÉRATEUR	GASHEBEL	
7	3654270/1	1	MOLLA LEVA ACCELERATORE	SPRING	RESSORT	FEDER GASHEBEL	
8	3612710	1	LAMIERINO DI STOP	STOP PLATE	PLAQUE D'ARRÊT	STOP-PLÄTTCHEN	
9	2123070	1	VITE	SCREW	VIS	SCHRAUBE	
10	3749270	1	POMELLO DI STOP	STOP KNOB	BOUTON D'ARRÊT	STOP-SCHALTER	
11	3749910	1	RIDUZIONE Ø24	REDUCTION	RÉDUCTION	REDUZIERSTÜCK	
12	4252540	1	CAVO ACCELERATORE	WIRE ASS.Y	CÂBLE ACCÉLÉR.	STARTERKABEL	
13	3786030	1	GUAINA CAVI	WIRE SHEATH	GAINÉ CÂBLES	KABELMANTEL	

POS.	CODE	Q.TY	DESCRIZIONE	DESCRIPTION	DESCRIPTION	BESCHREIBUNG	REMARKS
14	123065022/0	1	CAVO BOBINA-INTER- RUTTORE	COIL-SWITCH CABLE	CÂBLE BOBINE-INTER- RUPT.	SPULENDRAHT	
15	123065023/0	1	CAVO MASSA	EARTH CABLE	CÂBLE MASSE	ERDUNGSKABEL	
16	8563590	1	ASS. IMPUGNATURA AN- TERIORE (INCL.17-19)	FRONT HANDLE ASS.Y (INCL.17-19)	ENS.POIGNÉE AVANT (INCL.17-19)	HANDGRIFF VORNE (INCL.17-19)	
17	2135050	4	VITE	SCREW	VIS	SCHRAUBE	
18	2312090	4	RONDELLA	WASHER	RONDELLE	UNTERLEGSCHIEBE	
19	2412030	4	DADO	NUT	ECROU	MUTTER	
20	8251211	1	TUBO DI TRASMISSIONE Ø 24	TRANSMISSION PIPE ASS.Y Ø 24	ENS.TUBE TRANSM. Ø 24	SCHAFT Ø 24	
21	4251410	1	ASS. ALBERO TRASMIS- SIONE (INCL.22,23)	TRANSMISSION SHAFT ASS.Y (INCL.22,23)	ENS.ARBRE TRANSM. (INCL.22-23)	SET ANTRIEBSWELLE (INCL.22,23)	
22	3642221	1	MOZZO CUSCINETTO	BEARING HUB	MOYEU ROULEMENT	LAGERNABE	
23	4121881/1	1	ASS. CAMPANA FRIZIONE	CLUTCH DRUM	CLOCHE EMBRAYAGE	SET KUPPLUNG	
24	8561600	1	ASS. SUPPORTO TRA- SMISSIONE (INCL.25-28)	SUPPORT TRANSMIS- SION ASS.Y (INCL.25-28)	ENS.SUPP. TRANSM. (INCL.25-28)	SCHWUNGRAD MAGNET (INCL.25-28)	
25	3353080	1	ANELLO SEEGER	RING	CIRCLIP	RING	
26	3112170	1	CUSCINETTO	BEARING	ROUL. À BILLES	KUGELLAGER	
27	2123140	2	VITE	SCREW	VIS	SCHRAUBE	
28	2123150	1	VITE	SCREW	VIS	SCHRAUBE	
29	2135160	4	VITE	SCREW	VIS	SCHRAUBE	
30	23170000/0	1	DISTANZIALE	SPACER	ENTRETOISE	THERMOISOLIERUNG	
32	2312150	2	RONDELLA	WASHER	RONDELLE	UNTERLEGSCHIEBE	
33	2135060	2	VITE	SCREW	VIS	SCHRAUBE	
34	2135030	1	VITE	SCREW	VIS	SCHRAUBE	
35	3615000	1	LAMIERINO TAGLIAFILO	LINE CUTTER	COUPE-FIL	DRAHTSCHERENBLECH	
36	12154330/0	1	DADO	NUT	ECROU	MUTTER	
37	2312150	1	RONDELLA	WASHER	RONDELLE	UNTERLEGSCHIEBE	
38	3L8563570/1	1	ASS. PARASPRUZZI (INCL.34-37)	SAFETY COVER ASS.Y (INCL.34-37)	ENS. CAPOT ANTI- PROJECTIONS (INCL.34- 37)	SET SPRITZSCHUTZ (INCL.34-37)	
39	4253460	1	BRETELLA MOD.31	HARNESS MOD.31	HARNAIS MOD.31	GURTZEUG MOD.31	

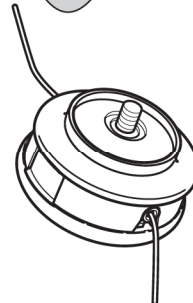
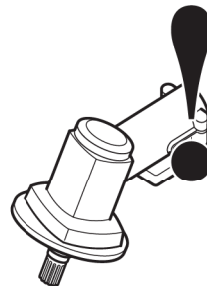
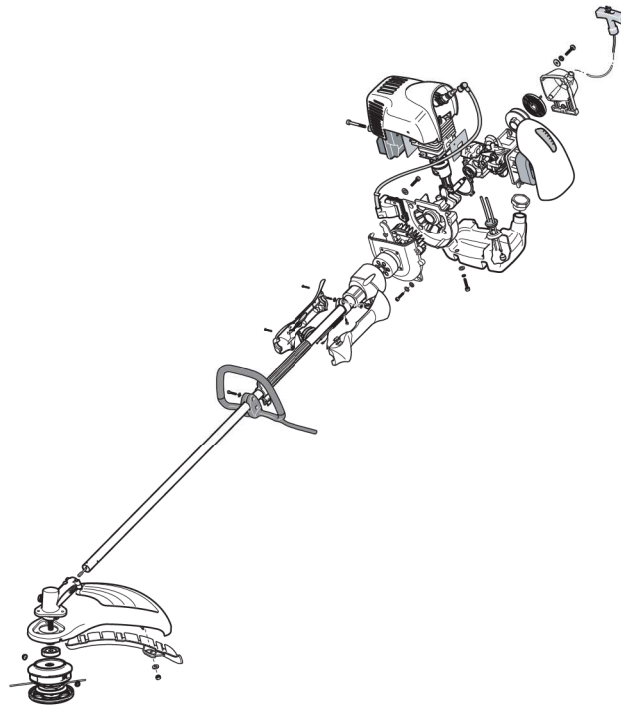
BC29



2009
DC010.0
 1 / 1



POS.	CODE	Q.TY	DESCRIZIONE	DESCRIPTION	DESCRIPTION	BESCHREIBUNG	REMARKS
1	4252770/2	1	ASS.TESTINA Ø24MM(INCL. 2÷21)	GEAR CASE ASSY (INCL. 2÷21) [Ø24]	ENS.BOÎTE ENGREN. (INCL. 2÷21) [Ø24]	SET ZAHNRADGETRIEBE (INCL. 2÷21) [Ø24]	
7	2135050	2	VITE	SCREW	VIS	SCHRAUBE	
8	2653090	1	VITE	SCREW	VIS	SCHRAUBE	
9	2653460	1	VITE	SCREW	VIS	SCHRAUBE	
15	3121180	1	ANELLO DI TENUTA	SEAL RING	ANNEAU DE TENUE	DICHTRING	
16	3660680	1	COLLARE	COLLAR	ENTRETOISE	DISTANZSCHEIBE	
17	3641650	1	GHIERA SUPERIORE	UPPER RING NUT	BAGUE SUPÉRIEURE	OBERER RINGBOLZEN	
18	3612650	1	GHIERA INFERIORE	LOWER RING NUT	BAGUE INFÉRIEURE	UNTERER RINGBOLZEN	
19	4560610	1	COPPA FISSA	STABILIZER	STABILISATEUR	STABILISATOR	
20	2321230	1	ROSETTA	WASHER	RONDELLE	SCHEIBE	
21	2653170	1	VITE	SCREW	VIS	SCHRAUBE	
23	6031172	1	DISCO 3 PUNTE 25 CM	3 TEETH 25 CM	LAME À 3 DENTS 25CM	3 ZÄHNE 25CM	
31	4353240/1	1	TESTINA 2 FILI TAP & GO	2 HEDGES NYLON HEAD	TÊTE À 2 FILS NYLON	2 DRAHTSCHEIBE	



USARE SOLO RICAMBI ORIGINALI!
USE ONLY GENUINE SPARE PARTS!
UTILISER DES PIÈCES DE RECHANGE D'ORIGINE!
NUR ORIGINALERSATZTEILE VERWENDEN!